

RSL10

超低功率[®] 多协议蓝牙5 无线片上系统(SoC)

引言

RSL10是一款超低功率、高度灵活的多协议2.4 GHz无线器件，专为高性能可穿戴应用和医疗应用而设计。凭借ARM[®] Cortex[®] M3处理器和LPDSP32 DSP核心，RSL10可支持蓝牙低功耗技术和2.4 GHz专有协议栈，而不会影响功耗。

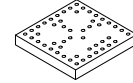
关键特性

- Rx (接收)灵敏度(蓝牙低功耗模式, 1 Mbps): -94 dBm
- 数据速率: 62.5至2000 kbps
- 发射功率: -17至+6 dBm
- 峰值Rx(接收)电流 = 5.6 mA (1.25 V VBAT)
- 峰值Rx(接收)电流 = 3.0 mA (3 V VBAT)
- 峰值Tx(发射)电流(0 dBm) = 8.9 mA (1.25 V VBAT)
- 峰值Tx(发射)电流(0 dBm) = 4.6 mA (3 V VBAT)
- 蓝牙5认证, 提供LE 2M PHY 支持
- ARM Cortex-M3处理器, 时钟速度最高可达48 MHz
- LPDSP32(适用于音频编解码器)
- 电源电压范围: 1.1-3.3 V
- 电流消耗(1.25 V VBAT):
 - ◆ 深度睡眠, IO唤醒: 50 nA
 - ◆ 深度睡眠, 8 kB RAM (用于保留数据): 300 nA
 - ◆ 以7 kHz音频带宽串流音频时: 1.8 mA RX, 1.8 mA TX
- 电流消耗(3 V VBAT):
 - ◆ 深度睡眠, IO唤醒: 25 nA
 - ◆ 深度睡眠, 8 kB RAM (用于保留数据): 100 nA
 - ◆ 以7 kHz音频带宽串流音频时: 0.9 mA RX, 0.9 mA TX
- 384 kB闪存
- 高度集成的片上系统(SoC)
- 支持FOTA (Firmware Over-The-Air, 空中固件升级)更新

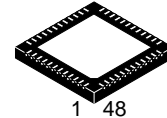


ON Semiconductor[®]

www.onsemi.cn



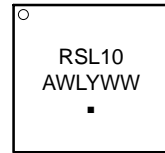
WLCSP51
CASE 567MT



1 48
QFN48
CASE 485BA



(QFN48)



(WLCSP51)

XXXXXX = Specific Device Code
A = Assembly Location
WL = Wafer Lot
Y or YY = Year
WW = Work Week
G or ■ = Pb-Free Package

ORDERING INFORMATION

| Device | Package | Shipping [†] |
|----------------------------------|----------------------|-----------------------|
| NCH-RSL10-101WC51-ABG | WLCSP51 (Pb-Free) | 5000 / Tape & Reel |
| NCH-RSL10-101Q48-ABG (Note 1) | QFN48 (Pb-Free) | 3000 / Tape & Reel |

[†]For information on tape and reel specifications, including part orientation and tape sizes, please refer to our Tape and Reel Packaging Specification Brochure, BRD8011/D.

1. QFN48 version: production ready: July 2017

RSL10

产品特性

- **ARM Cortex-M3处理器**: 32位核心, 适用于实时应用, 专为打造用于各种低功耗应用的高性能、低成本平台而开发。
- **LPDSP32**: 32位双Harvard DSP核心, 为无线通信所需的音频编解码器提供高效支持。在RSL10开发工具中包含多个库, 可为客户提供各种编解码器。
- **射频前端**: 在2.4 GHz射频收发器的基础上, RFFE对蓝牙低功耗技术标准和其他专有或定制协议实现了物理层。
- **协议基带硬件**: 蓝牙5认证, 支持2 Mbps射频链路支持和定制协议选项。RSL10基带栈通过支持结构进行补充, 该结构允许实施安森美半导体和客户设计的定制协议。
- **高度集成的SoC**: 双核架构结合高效电源管理单元、振荡器、闪存和RAM存储器、DMA控制器, 以及完备的周边设备和接口。
- **深度睡眠模式**: 在不需要运行时, RSL10可进入深度睡眠模式。提供各种深度睡眠模式配置, 包括:
 - ◆ “IO唤醒”配置。在深度睡眠模式下, 功耗为50 nA (1.25 V VBAT)。
 - ◆ 嵌入式32 kHz振荡器, 可通过计时器或外部引脚中断运行。总电流损耗为90 nA (1.25 V VBAT)。
 - ◆ 如上所述, 产品包含8 kB RAM, 用于保留数据。总电流损耗为300 nA (1.25 V VBAT)。
 - ◆ 除了“仅IO唤醒”配置外, 还可以启用芯片上的降压转换器, 在深度睡眠模式下减少电流消耗 (VBAT电压较高时)。
- **待机模式**: 可用于减小低占空比下的平均功耗, 范围通常从几毫秒到几百毫秒不等。待机模式下, 典型的芯片功耗为30 μ A。
- **多协议支持**: 利用LPDSP32、ARM Cortex-M3处理器和射频前端所带来的灵活性, 可支持专有协议和其他定制协议。
- **灵活的电源电压范围**: RSL10集成了高效功率调节器, VBAT电压范围为1.1至3.3 V。
- **高度可配置的接口**: I²C、UART、两个SPI接口、PCM接口、多个GPIO。还支持数字麦克风接口和输出驱动器。
- **异步采样率转换器(ASRC)模块和音频信宿时钟模块**提供了一种在音频来源和音频信宿之间同步音频采样率的方式。音频信宿时钟还提供了一种高精度度机制, 测量RTC或协议时序所使用的输入时钟。
- **灵活的计时方案**: 发射或接收射频通信时, 必须从射频前端的XTAL/PLL以48 MHz的时钟速度对RSL10计时。在不发射/接收射频通信时, RSL10可关闭48 MHz XTAL、内部RC振荡器、32 kHz 振荡器或外部时钟。低频RTC时钟(32 kHz)还可在深度睡眠模式下使用。可以将内部XTAL、RC 振荡器或数字输入焊盘作为来源。
- **多种存储架构**: 提供76 kB的SRAM程序存储和88 kB的SRAM数据存储。提供共384 kB的闪存, 用于存储蓝牙栈和其他应用。ARM Cortex-M3处理器可从SRAM和/或闪存执行。
- **IP保护功能**: 确保第三方无法复制客户的闪存内容。可有效防止在启动芯片后, 从外部访问任何核心或存储器。
- **超低功耗应用示例**:
 - ◆ **音频信号串流**: $I_{DD} < 1.8 \text{ mA @ VBAT } 1.25 \text{ V}$ (Rx模式), 使用安森美半导体专有定制音频协议, 接收、解码和发送7 kHz带宽音频信号至SPI接口。
 - ◆ **低占空比广播**: $I_{DD} 1.3 \mu\text{A}$, 以5秒的间隔在所有三个信道进行广播(VBAT 3 V, DCDC转换器启用)。
- **开发工具**: 包含适用于ARM Cortex-M3处理器的开发硬件以及标准的Eclipse和其他集成开发环境(IDE)元件。可使用Synopsys开发工具(按要求提供)开发LPDSP32代码。
- **RoHS认证设备**

RSL10

RSL10内部框图

RSL10芯片框图如图1所示。

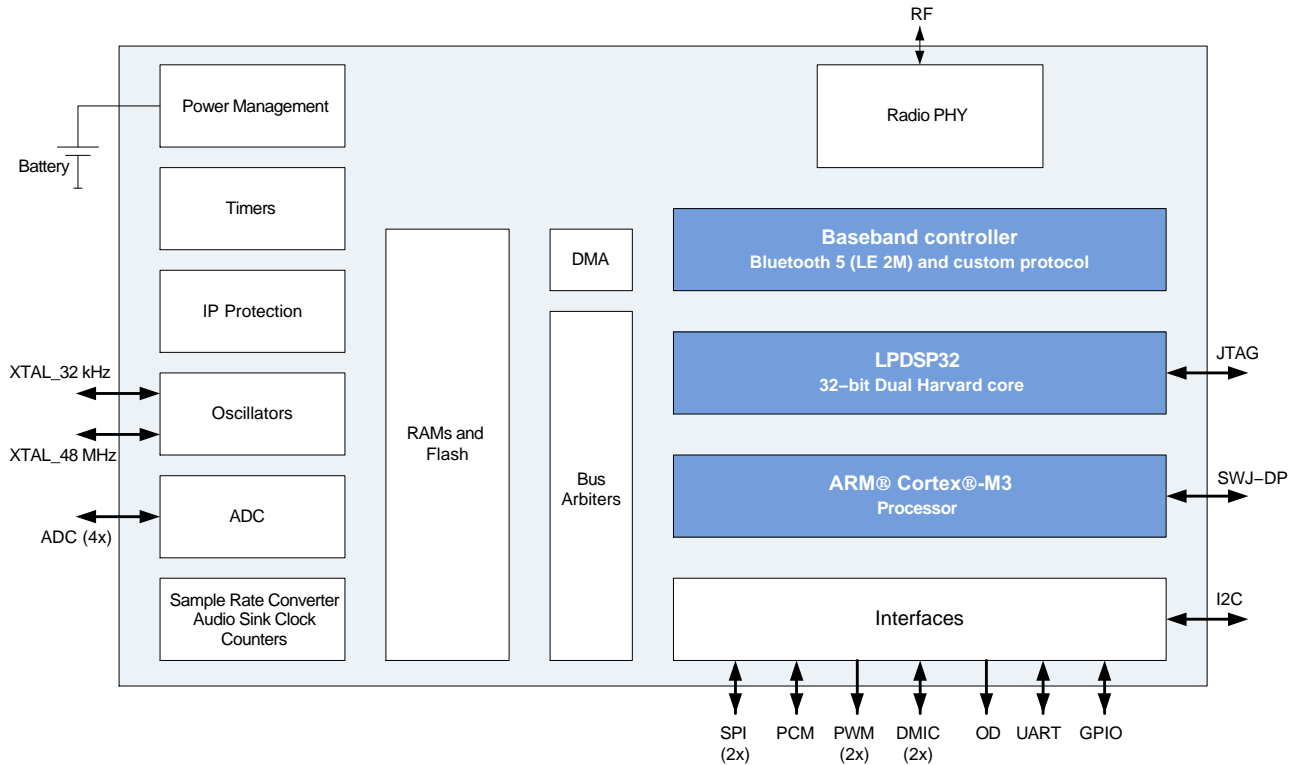


Figure 1. RSL10 Block Diagram

Table 1. ABSOLUTE MAXIMUM RATINGS

| Symbol | Parameter | Min | Max | Unit |
|-----------------|------------------------------|------------|------------|------|
| VBAT | Power supply voltage | | 3.63 | V |
| VDDO | I/O supply voltage | | 3.63 | V |
| VSSRF | RF front-end ground | -0.3 | | V |
| VSSA | Analog ground | -0.3 | | V |
| VSSD | Digital core and I/O ground | -0.3 | | V |
| V _{in} | Voltage at any input pin | VSSD - 0.3 | VDDC + 0.3 | V |
| T functional | Functional temperature range | -40 | 85 | °C |
| T storage | Storage temperature range | -40 | 85 | °C |

Caution: Class 2 ESD Sensitivity, JESD22-A114-B (2000 V)

Stresses exceeding those listed in the Maximum Ratings table may damage the device. If any of these limits are exceeded, device functionality should not be assumed, damage may occur and reliability may be affected.

(参考譯文)

如果电压超过最大额定值表中列出的值范围，器件可能会损坏。如果超过任何这些限值，将无法保证器件功能，可能会导致器件损坏，影响可靠性。

Table 2. RECOMMENDED OPERATING CONDITIONS

| Description | Symbol | Conditions | Min | Typ | Max | Units |
|--------------------------------|--------|----------------------------------|-----|------|-----|-------|
| Supply voltage operating range | VBAT | Input supply voltage on VBAT pin | 1.1 | 1.25 | 3.3 | V |

Functional operation above the stresses listed in the Recommended Operating Ranges is not implied. Extended exposure to stresses beyond the Recommended Operating Ranges limits may affect device reliability.

推薦的工作範圍：

高于推荐工作范围表格中所列电压时，不保证能够正常运行。长时间在推荐工作范围表格中规定范围以外的电压下运行，可能会影响器件的可靠性。

RSL10

Table 3. ELECTRICAL PERFORMANCE SPECIFICATIONS

Unless otherwise noted, the specifications mentioned in the table below are valid at 25°C at VBAT = VDDO = 1.25 V.

| Description | Symbol | Conditions | Min | Typ | Max | Units |
|--|-------------------|---|-----|-----|-----|-------|
| OVERALL | | | | | | |
| Current consumption RX, V _{BAT} = 1.25 V | I _{VBAT} | RX Mode, ON Semiconductor proprietary audio streaming protocol at 7 kHz audio BW, 5.5 ms delay. | – | 1.8 | – | mA |
| Current consumption TX, V _{BAT} = 1.25 V | I _{VBAT} | TX Mode, ON Semiconductor proprietary audio streaming protocol at 7 kHz audio BW, 5.5 ms delay. | – | 1.8 | – | mA |
| Deep sleep current, example 1, V _{BAT} = 1.25 V | I _{ds1} | Wake up from wake up pin. | – | 50 | – | nA |
| Deep sleep current, example 2, V _{BAT} = 1.25 V | I _{ds2} | Embedded 32 kHz oscillator running with interrupts from timer or external pin. | – | 90 | – | nA |
| Deep sleep current, example 3, V _{BAT} = 1.25 V | I _{ds3} | As I _{ds2} but with 8 kB RAM data retention. | – | 300 | – | nA |
| Standby Mode current, V _{BAT} = 1.25 V | I _{stb} | Digital blocks and memories are not clocked and are powered at a reduced voltage. | – | 30 | – | μA |
| Current consumption RX, V _{BAT} = 3 V | I _{VBAT} | RX Mode, ON Semiconductor proprietary audio streaming protocol at 7 kHz audio BW, 5.5 ms delay. | – | 0.9 | – | mA |
| Current consumption TX, V _{BAT} = 3 V | I _{VBAT} | TX Mode, ON Semiconductor proprietary audio streaming protocol at 7 kHz audio BW, 5.5 ms delay. | – | 0.9 | – | mA |
| Deep sleep current, example 1, V _{BAT} = 3 V | I _{ds1} | Wake up form wake up pin. | – | 25 | – | nA |
| Deep sleep current, example 2, V _{BAT} = 3 V | I _{ds2} | Embedded 32 kHz oscillator running with interrupts from timer or external pin. | – | 40 | – | nA |
| Deep sleep current, example 3, V _{BAT} = 3 V | I _{ds3} | As I _{ds2} but with 8 kB RAM data retention. | – | 100 | – | nA |
| Standby Mode current, V _{BAT} = 3 V | I _{stb} | Digital blocks and memories are not clocked and are powered at a reduced voltage. | – | 17 | – | μA |

EEMBC CoreMark BENCHMARK for the ARM Cortex–M3 Processor and the LPDSP32 DSP

| | | | | | | |
|---|--|--|--|-------|--|------------------|
| ARM Cortex–M3 processor running from RAM | | At 48 MHz SYSCLK Using the IAR 8.10.1 C compiler | | 159.1 | | Core Mark |
| LPDSP32 running from RAM | | At 48 MHz SYSCLK Using the 2017.03 release of the Synopsys LPDSP32 C compiler | | 122.9 | | Core Mark |
| ARM Cortex–M3 processor and LPDSP32 running from RAM, V _{BAT} = 1.25 V | | At 48 MHz SYSCLK | | 104.9 | | Core Mark/ mA |
| ARM Cortex–M3 processor and LPDSP32 running from RAM, V _{BAT} = 3 V | | At 48 MHz SYSCLK | | 248.5 | | Core Mark/ mA |

INTERNALLY GENERATED VDDC: Digital Block Supply Voltage

| | | | | | | |
|---------------------------------|-----------------------|--|------|------|------------------|----|
| Supply voltage: operating range | VDDC | | 0.9 | 1.15 | 1.32 (Note 2) | V |
| Supply voltage: trimming range | VDDC _{RANGE} | | 0.75 | | 1.38 | V |
| Supply voltage: trimming step | VDDC _{STEP} | | – | 10 | – | mV |

INTERNALLY GENERATED VDDM: Memories Supply Voltage

| | | | | | | |
|---------------------------------|-----------------------|--|------|------|------------------|----|
| Supply voltage: operating range | VDDM | | 1.08 | 1.15 | 1.32 (Note 3) | V |
| Supply voltage: trimming range | VDDM _{RANGE} | | 0.75 | | 1.38 | V |
| Supply voltage: trimming step | VDDM _{STEP} | | – | 10 | – | mV |

INTERNALLY GENERATED VDDRF: Radio Front end supply voltage

| | | | | | | |
|---------------------------------|-------|--|------|------|----------------------|---|
| Supply voltage: operating range | VDDRF | | 1.00 | 1.10 | 1.32 (Notes 4 and 5) | V |
|---------------------------------|-------|--|------|------|----------------------|---|

RSL10

Table 3. ELECTRICAL PERFORMANCE SPECIFICATIONS

Unless otherwise noted, the specifications mentioned in the table below are valid at 25°C at VBAT = VDDO = 1.25 V.

| Description | Symbol | Conditions | Min | Typ | Max | Units |
|--|---------------------------|--|------|------------------|------|-------|
| INTERNALLY GENERATED VDDRF: Radio Front end supply voltage | | | | | | |
| Supply voltage: trimming range | VDDRF _{RANGE} | | 0.75 | | 1.38 | V |
| Supply voltage: trimming step | VDDRF _{STEP} | | – | 10 | – | mV |
| INTERNALLY GENERATED VDDPA: Optional Radio Power Amplifier Supply Voltage | | | | | | |
| Supply voltage: operating range | VDDPA | | 1.05 | 1.3 | 1.68 | V |
| Supply voltage: trimming range | VDDPA _{RANGE} | | 1.05 | | 1.68 | V |
| Supply voltage: trimming step | VDDPA _{STEP} | | – | 10 | – | mV |
| Supply voltage: trimming step | DCDC _{STEP} | | – | 10 | – | mV |
| VDDO PAD SUPPLY VOLTAGE: Digital Level High Voltage | | | | | | |
| Digital I/O supply | VDDO | | – | V _{BAT} | – | V |
| INDUCTIVE BUCK DC–DC CONVERTER | | | | | | |
| VBAT range when the DC–DC converter is active (Note 6) | DCDC _{IN_RANGE} | | 1.4 | | 3.3 | V |
| VBAT range when the LDO is active | LDO _{IN_RANGE} | | 1.1 | | 3.3 | V |
| Output voltage: trimming range | DCDC _{OUT_RANGE} | | 1.0 | 1.2 | 1.32 | V |
| Supply voltage: trimming step | DCDC _{STEP} | | – | 10 | – | mV |
| POWER–ON RESET | | | | | | |
| POR voltage | VBAT _{POR} | | 0.4 | 0.8 | 1.0 | V |
| RADIO FRONT–END: General Specifications | | | | | | |
| RF input impedance | Z _{in} | Single ended | – | 50 | – | Ω |
| Input reflection coefficient | S ₁₁ | All channels | – | – | –8 | dB |
| Data rate FSK / MSK / GFSK | R _{FSK} | OQPSK as MSK | 62.5 | 1000 | 3000 | kbps |
| Data rate 4–FSK | | | – | – | 4000 | kbps |
| On–air data rate | bps | GFSK | 250 | | 2000 | kbps |
| RADIO FRONT–END: Crystal and Clock Specifications | | | | | | |
| Xtal frequency | F _{XTAL} | Fundamental | 48 | | | MHz |
| Equiv. series Res. | ESR _{XTAL} | | 20 | – | 80 | Ω |
| Differential equivalent load capacitance | CL _{XTAL} | | 6 | 8 | 10 | pF |
| Settling time | | | – | 0.5 | 1.5 | ms |
| RADIO FRONT–END: Synthesizer Specifications | | | | | | |
| Frequency range | F _{RF} | Supported carrier frequencies | 2360 | – | 2500 | MHz |
| RX frequency step | | RX Mode frequency synthesizer resolution | – | – | 100 | Hz |
| TX frequency step | | TX Mode frequency synthesizer resolution | – | – | 600 | Hz |
| PLL Settling time, RX | t _{PLL_RX} | RX Mode | – | 15 | 25 | μs |
| PLL Settling time, TX | t _{PLL_TX} | TX mode, BLE modulation | – | 5 | 10 | μs |
| RADIO FRONT–END: Receive Mode Specifications | | | | | | |
| Current consumption at 1 Mbps, V _{BAT} = 1.25 V | IBAT _{RFRX} | VDDRF = 1.1 V, 100% duty cycle | – | 5.6 | – | mA |
| Current consumption at 2 Mbps, V _{BAT} = 1.25 V | IBAT _{RFRX} | VDDRF = 1.1 V, 100% duty cycle | – | 6.2 | – | mA |
| Current consumption at 1 Mbps, V _{BAT} = 3 V, DC–DC | IBAT _{RFRX} | VDDRF = 1.1 V, 100% duty cycle | – | 3.0 | – | mA |
| Current consumption at 2 Mbps, V _{BAT} = 3 V, DC–DC | IBAT _{RFRX} | VDDRF = 1.1 V, 100% duty cycle | – | 3.4 | – | mA |
| RX Sensitivity, 0.25 Mbps | | 0.1% BER (Note 7) | – | –97 | – | dBm |

RSL10

Table 3. ELECTRICAL PERFORMANCE SPECIFICATIONS

Unless otherwise noted, the specifications mentioned in the table below are valid at 25°C at VBAT = VDDO = 1.25 V.

| Description | Symbol | Conditions | Min | Typ | Max | Units |
|---|--------|--|-----|-----|-----|-------|
| RADIO FRONT-END: Receive Mode Specifications | | | | | | |
| RX Sensitivity, 0.5 Mbps | | 0.1% BER (Note 7) | – | –96 | – | dBm |
| RX Sensitivity, 1 Mbps, BLE | | 0.1% BER (Note 7) Single-ended on chip antenna match to 50 Ω | – | –94 | – | dBm |
| RX Sensitivity, 2 Mbps, BLE | | 0.1% BER (Note 7) | – | –92 | – | dBm |
| RSSI effective range | | Without AGC | – | 60 | – | dB |
| RSSI step size | | | – | 2.4 | – | dB |
| RX AGC range | | | – | 48 | – | dB |
| RX AGC step size | | Programmable | – | 6 | – | dB |
| Max usable signal level | | 0.1% BER | 0 | 5 | – | dBm |

| | | | | | | |
|--|----------------------|---|------|------|-----|-----|
| RADIO FRONT-END: Transmit Mode Specifications | | | | | | |
| Tx peak power consumption at VBAT = 1.25 V (Note 8) | IBAT _{RFTX} | Tx power 0 dBm, VDDRF = 1.07 V, VDDPA: off, LDO mode | – | 8.9 | – | mA |
| | | Tx power 3 dBm, VDDRF = 1.1 V, VDDPA = 1.26 V, LDO mode | – | 17.4 | – | mA |
| | | Tx power 6 dBm, VDDRF = 1.1 V, VDDPA = 1.65 V, LDO mode | – | 25 | – | mA |
| Tx peak power consumption at VBAT = 3 V (Note 8) | IBAT _{RFTX} | Tx power 0 dBm, VDDRF = 1.07 V, VDDPA: off, DC-DC mode | – | 4.6 | – | mA |
| | | Tx power 3 dBm, VDDRF = 1.1 V, VDDPA = 1.26 V, DC-DC mode | – | 8.6 | – | mA |
| | | Tx power 6 dBm, VDDRF = 1.1 V, VDDPA = 1.65V, DC-DC mode | – | 12 | – | mA |
| Transmit power range | | BLE or 802.15.4 OQPSK | –17 | +0.5 | +6 | dBm |
| Transmit power step size | | Full band. | – | 2 | – | dB |
| Transmit power accuracy | | Tx power 3 dBm. Full band. Relative to the typical value. | –1 | – | +1 | dB |
| | | Tx power 0 dBm. Full band. Relative to the typical value. | –1.1 | – | 1.5 | dB |
| Power in 2 nd harmonic | | 0 dBm mode. 50 Ω for “Typ” value. PT for “Max” value (Note 9) | – | –31 | –18 | dBm |
| Power in 3 rd harmonic | | 0 dBm mode. 50 Ω for “Typ” value. PT for “Max” value (Note 9) | – | –40 | –31 | dBm |
| Power in 4 th harmonic | | 0 dBm mode. 50 Ω for “Typ” value. PT for “Max” value (Note 9) | – | –49 | –42 | dBm |

ADC

| | | | | | | |
|----------------------------|----------------------|--|--------|----|------|------|
| Resolution | ADC _{RES} | | 8 | 12 | 14 | bits |
| Input voltage range | ADC _{RANGE} | | 0 | – | 2 | V |
| INL | ADC _{INL} | | –2 | – | +2 | mV |
| DNL | ADC _{DNL} | | –1 | – | +1 | mV |
| Channel sampling frequency | ADC _{CH_SF} | For the 8 channels sequentially, SLOWCLK = 1 MHz | 0.0195 | – | 6.25 | kHz |

32 kHz ON-CHIP RC OSCILLATOR

| | | | | | | |
|---------------------|----------------------|--|----|-----|----|-----|
| Untrimmed Frequency | Freq _{UNTR} | | 20 | 32 | 50 | kHz |
| Trimming steps | Steps | | | 1.5 | | % |

3 MHz ON-CHIP RC OSCILLATOR

| | | | | | | |
|---------------------|----------------------|--|---|-----|---|-----|
| Untrimmed Frequency | Freq _{UNTR} | | 2 | 3 | 5 | MHz |
| Trimming steps | Steps | | | 1.5 | | % |
| Hi Speed mode | F _{hi} | | | 10 | | MHz |

32 kHz ON-CHIP CRYSTAL OSCILLATOR (Note 10)

| | | | | | | |
|------------------|---------------------|----------------------------|--|-------|--|----|
| Output Frequency | Freq _{32k} | Depends on xtal parameters | | 32768 | | Hz |
|------------------|---------------------|----------------------------|--|-------|--|----|

RSL10

Table 3. ELECTRICAL PERFORMANCE SPECIFICATIONS

Unless otherwise noted, the specifications mentioned in the table below are valid at 25°C at VBAT = VDDO = 1.25 V.

| Description | Symbol | Conditions | Min | Typ | Max | Units |
|--|--------|--|-----|-----|------|-------|
| 32 kHz ON-CHIP CRYSTAL OSCILLATOR (Note 10) | | | | | | |
| Startup time | | | | 1 | 3 | s |
| Internal load trimming range | | Steps of 0.4 pF | 0 | | 25.2 | pF |
| External load Capacitance | | Maximum external capacity allowed (package, routing, etc.) | | | 3.5 | pF |
| ESR | | | | | 100 | kΩ |
| Duty Cycle | | | 40 | 50 | 60 | % |

DC CHARACTERISTICS OF THE DIGITAL PADS – With VDDO = 2.97 V – 3.3 V, nominal: 3.0 V Logic

| | | | | | | |
|------------------------------|----------|--|----------|--|----------|---|
| Voltage level for high input | V_{IH} | | 2 | | VDDO+0.3 | V |
| Voltage level for low input | V_{IL} | | VSSD–0.3 | | 0.8 | V |

DC CHARACTERISTICS OF THE DIGITAL PADS – With VDDO = 1.1 V – 1.32 V, nominal: 1.2 V Logic

| | | | | | | |
|------------------------------|----------|--|------------|--|------------|---|
| Voltage level for high Input | V_{IH} | | 0.65* VDDO | | VDDO+0.3 | V |
| Voltage level for low input | V_{IL} | | VSSD–0.3 | | 0.35* VDDO | V |

DIO DRIVE STRENGTH

| | | | | | | |
|--------------------|------|--|---|----|----|----|
| DIO drive strength | IDIO | | 2 | 12 | 12 | mA |
|--------------------|------|--|---|----|----|----|

FLASH SPECIFICATIONS

| | | | | | | |
|---|--|--|---------|--|--|--------------------|
| Endurance of the 384 kB of flash | | | 100,000 | | | write/erase cycles |
| Endurance for sections NVR1, NVR2, and NVR3 (6 kB in total) | | | 1000 | | | write/erase cycles |
| Retention | | | 25 | | | years |

- The maximum VDDC voltage cannot exceed the VBAT input voltage or the VCC output from the buck converter.
- The maximum VDDM voltage cannot exceed the VBAT input voltage or the VCC output from the buck converter.
- The maximum VDDRF voltage cannot exceed the VBAT input voltage or the VCC output from the buck converter.
- The VDDRF calibrated targets are:
 - 1.10 V (TX power > 0 dBm, with optimal RX sensitivity)
 - 1.07 V (TX power = 0 dBm)
 - 1.26 V (TX power = 3 dBm)
- The VDDPA calibrated targets are:
 - 1.30 V
 - 1.26 V (TX power = 3 dBm, assumes VDDRF = 1.10 V)
 - 1.65 V (TX power = 6 dBm, assumes VDDRF = 1.10 V)
- The LDO can be used to regulate down from VBAT and generate VCC. For VBAT values higher than 1.5 V, the LDO is less efficient and it is possible to save power by activating the DC–DC converter to generate VCC.
- Signal generated by RF tester
- All values are based on evaluation board performance at the antenna connector, including the harmonic filter loss
- Harmonics need to be filtered with an external filter (See “RF Filter” on Table 5).
- These specifications have been validated with the Epson Toyocorn MC – 306 crystal

Product parametric performance is indicated in the Electrical Characteristics for the listed test conditions, unless otherwise noted. Product performance may not be indicated by the Electrical Characteristics if operated under different conditions.

(参考譯文)

除非另有说明，“电气特性”表格中列出的是所列测试条件下的产品性能参数。如果在不同条件下运行，产品性能可能与“电气特性”表格中所列性能参数不一致。

RSL10

Table 4. RECOMMENDED VDDC and VDDM LEVEL

| Operating Frequency (MHz) | Minimum VDDC Voltage (V) | VDDM Voltage (V) | Restriction |
|---------------------------|--------------------------|------------------|---|
| 0 – 24 | 0.92 | 1.08 | The ADC will be functional in low frequency mode and between 0 and 85°C only. |
| 0 – 24 | 1 | 1.08 | None |
| 24 – 48 | 1.05 | 1.08 | None |

NOTE: The VDDC and VDDM regulators have to be trimmed at least 10 mV above the minimum voltages indicated in Table 4.

Table 5. RECOMMENDED EXTERNAL COMPONENTS

| Components | Function | Recommended typical value | Tolerance |
|-------------------|------------------------------------|--|-----------|
| Cap (VBAT–VSSA) | VBAT decoupling | 4.7 μ F + 100 nF + 100 pF (Note 11) | \pm 20% |
| Cap (VDDO–VSSD) | VDDO decoupling | 1 μ F | \pm 20% |
| Cap (VDDRF–VSSRF) | VDDRF decoupling | 2.2 μ F | \pm 20% |
| Cap (VCC–VSSA) | VCC decoupling | Low ESR 2.2 μ F (Note 12) or 4.7 μ F | \pm 20% |
| Cap (VDDA–VSSA) | VDDA decoupling | 1 μ F | \pm 20% |
| Cap (CAP0–CAP1) | Pump capacitor for the charge pump | 1 μ F | \pm 20% |
| Inductor (DC–DC) | DC–DC converter inductance | Low ESR 2.2 μ H (See Table 6 below) | \pm 20% |
| Xtal_32 kHz | Xtal for 32 kHz oscillator | – MC – 306, Epson – CM8V–T1A, Micro Crystal Switzerland | |
| Xtal_48 MHz | Xtal for 48 MHz oscillator | 8Q–48.000MEEV–T, TXC Corporation, Taiwan | |
| RF filter | External harmonic filter | 1.5 pF / 3 nH / 1.5 pF / 1.8 nH | \pm 20% |

NOTE: All capacitors used must have good RF performance.

11. The recommended decoupling capacitance uses 3 capacitors with the values specified

12. Example: AMK105BJ225_P, Taiyo Yuden

Table 6. RECOMMENDED DC–DC CONVERTER INDUCTANCE TABLE

| Manufacturer | Part Number | Case Size | Comments |
|--------------|---------------|-------------------------------------|---|
| Taiyo Yuden | CKP2012N_2R2 | 0805 SMD with $T_{max} = 1.0$ mm | A degradation of 1 dB in the RX sensitivity is expected in DC–DC mode (Vbat = 3.3 V) versus LDO mode operation. |
| Taiyo Yuden | CBMF1608T2R2M | 0603 SMD with $T_{max} = 1.0$ mm | A degradation of <1 dB in RX sensitivity is expected in DC–DC mode (Vbat = 3.3 V) versus LDO mode operation. Also, the current drawn from the battery will be 4–10% higher than when the CKP2012N_2R2 is used depending on operation mode and settings. |

NOTE: Values have been measured on the QFN version of the RSL10 development board.

PCB设计指南

1. 解耦电容应当尽可能靠近相关焊球放置。
2. 差分输出信号传输路径应当尽可能对称。
3. 应当尽可能屏蔽掉模拟输入信号。
4. 密切注意寄生耦合电容。
5. 设计PCB时应当特别注意，以获得良好的射频性能。
6. 应当采用多层PCB，并在天线匹配电路正下方的内层设置禁区，以降低影响射频性能的杂散电容。
7. 所有电源电压应当通过高性能射频电容，尽可能靠近其相应引脚解耦。这些电源应当相互分隔布置，尽量布置在不同层(通过PCB上的短线从芯片引脚连接至电源)。
8. 数字信号传输路径不得靠近晶体或电源线。
9. 适当的DC–DC元件设置和布局对DC–DC模式下的RX灵敏度性能至关重要。

注意：应用指南中提供了有关PCB指南的更多信息，请访问www.onsemi.cn查看。

RSL10

Table 7. BUMP AND COATING SPECIFICATIONS

| Subject | Specification |
|--------------------------------|----------------------|
| Bump metallization | Sn 97.7%/Ag 2.3% |
| Backside coating specification | Lintec Adwill LC2850 |
| Backside coating thickness | 25 μm |

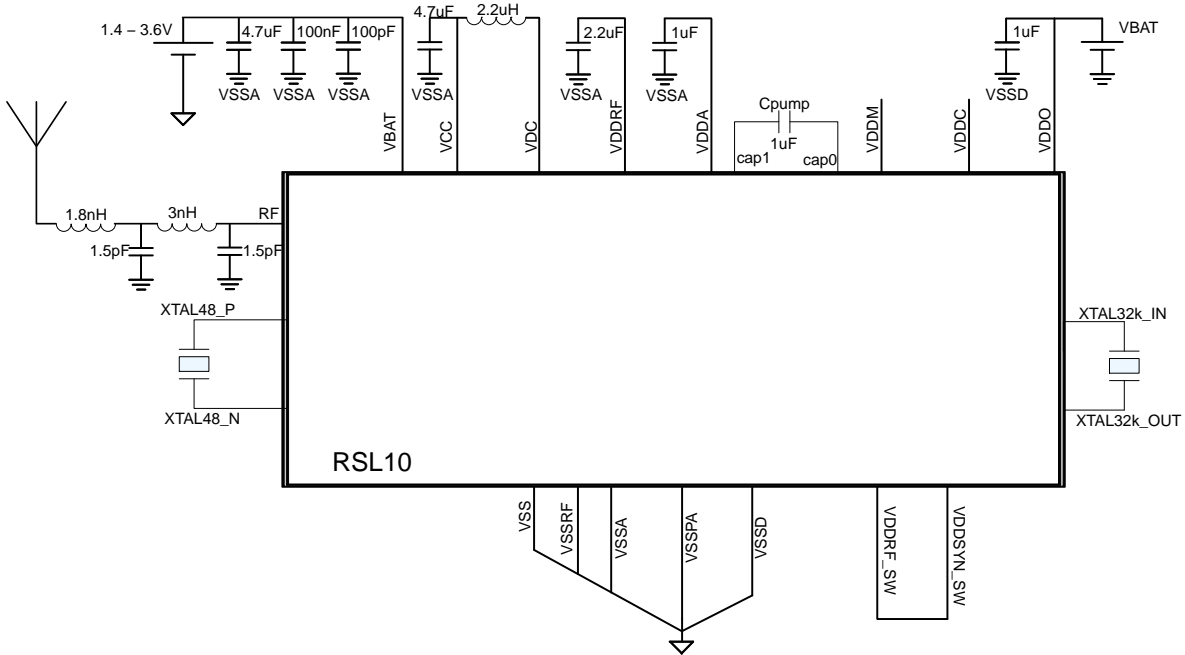
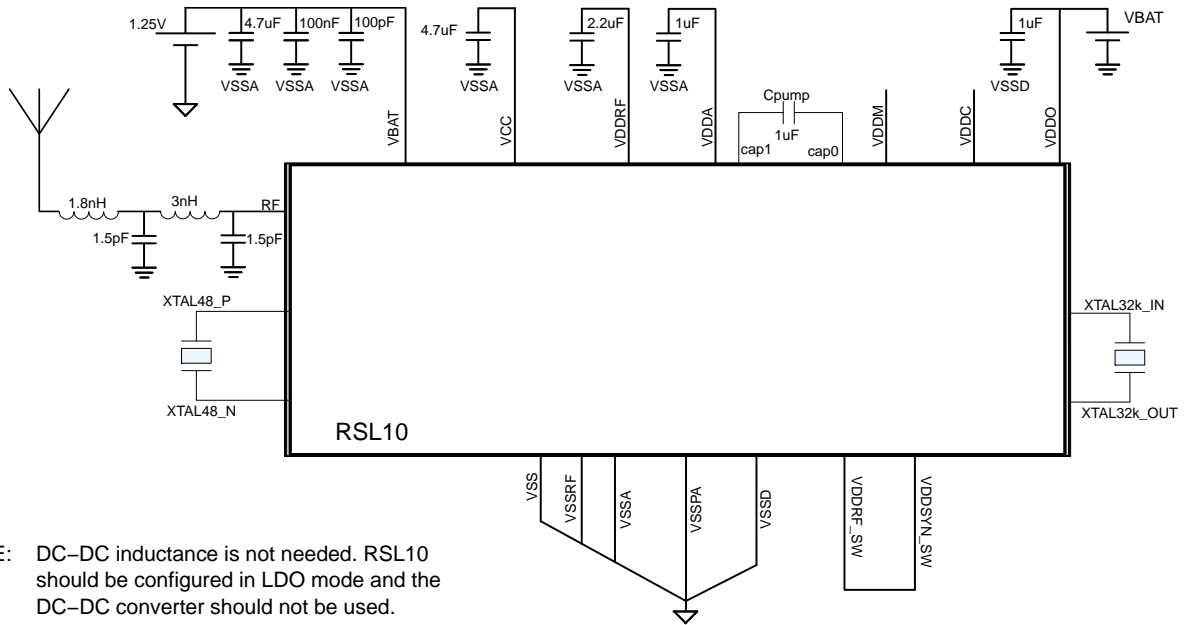


Figure 2. RSL10 Application Diagram, 3.3 V



NOTE: DC-DC inductance is not needed. RSL10 should be configured in LDO mode and the DC-DC converter should not be used.

Figure 3. RSL10 Application Diagram, 1.25 V

RSL10

Table 8. CHIP INTERFACE SPECIFICATIONS

| Pad Name | Description | Power Domain | I/O | A/D | Pull | Pad #, WLCSP | Pad #, QFN48 |
|------------|--|--------------|-----|-----|------|--------------|--------------|
| VBAT | Battery input voltage | VBAT | I | P | | K5,K7,K10 | 9 |
| VDC | DC–DC output voltage to external LC filter | | O | A | | J11 | 10 |
| VCC | DC–DC filtered output | | I | P/A | | K11 | 12 |
| XTAL32_IN | Xtal input pin for 32 kHz xtal | | I/O | A | | L10 | 14 |
| XTAL32_OUT | Xtal output pin for 32 kHz xtal | | I/O | A | | L11 | 13 |
| VSSA | Analog ground | | I/O | P | | E10 | 8 |
| RES | RESERVED | | I | D | D | F8 | 11 |
| VDDA | Charge pump output for analog and flash supplies | VDDA | I/O | P/A | | F11 | 5 |
| VDDRF | LDO's output for radio voltage supply | | I/O | P/A | | A11 | 48 |
| CAP0 | Pump capacitor connection | | O | A | | H11 | 7 |
| CAP1 | Pump capacitor connection | | O | A | | G10 | 6 |
| AOUT | Analog test pin | | O | A | | L6 | 4 |
| VDDRF_SW | Supply pin for the RF | VDDRF_SW | | P/A | | A9 | 47 |
| VDDSYN_SW | Supply pin for the radio synthesizer | | | P/A | | B8 | 45 |
| VSSRF | RF analog ground | | I/O | P | | B9 | 46 |
| XTAL48_N | Negative input for the 48 MHz xtal block | | I/O | A | | A6 | 43 |
| XTAL48_P | Positive input for the 48 MHz xtal block | | I/O | A | | A8 | 44 |
| VDDPA | Radio power amplifier voltage supply | VDDPA | I/O | P/A | | C11 | 2 |
| VSSPA | Radio power amplifier ground | | I/O | P | | D11 | 3 |
| RF | RF signal input/output (Antenna) | RF | I/O | A | | B11 | 1 |
| VPP | Flash high voltage access | VPP | I/O | A | | J6 | 17 |

Table 8. CHIP INTERFACE SPECIFICATIONS

| Pad Name | Description | Power Domain | I/O | A/D | Pull | Pad #, WLCSP | Pad #, QFN48 |
|----------|---|--------------|-----|-----|------|--------------|--------------|
| NRESET | Reset pin | VDDO | I | D | U | L9 | 16 |
| WAKEUP | Wake-up pin for power modes | | I | A | | L8 | 15 |
| VDDC | LDO output for Core logic voltage supply | | I/O | P | | H6 | 19 |
| VDDM | LDO output for memories voltage supply | | I/O | P | | F4 | 21 |
| VDDO | Digital I/O voltage supply | | I | P | | B4 | 36 |
| VSSD | Digital ground pad for I/O | | I/O | P | | F3, D6, F9 | 28, 35 |
| VSS (*) | Substrate connection for the RF part | | I/O | P | | B6 | 42 |
| EXTCLK | External clock input / Internal clock output | | I/O | D | U | F1 | 31 |
| DIO[0] | Digital input output / ADC 0 | | I/O | A/D | U/D | L4 | 18 |
| DIO[1] | Digital input output / ADC 1 | | I/O | A/D | U/D | L3 | 20 |
| DIO[2] | Digital input output / ADC 2 | | I/O | A/D | U/D | L2 | 23 |
| DIO[3] | Digital input output / ADC 3 | | I/O | A/D | U/D | L1 | 25 |
| DIO[4] | Digital input output 4 | | I/O | D | U/D | K2 | 24 |
| DIO[5] | Digital input output 5 | | I/O | D | U/D | K1 | 27 |
| DIO[6] | Digital input output 6 | | I/O | D | U/D | J1 | 29 |
| DIO[7] | Digital input output 7 | | I/O | D | U/D | H1 | 30 |
| DIO[8] | Digital input output 8 | | I/O | D | U/D | G2 | 26 |
| DIO[9] | Digital input output 9 | | I/O | D | U/D | E2 | 22 |
| DIO[10] | Digital input output 10 | | I/O | D | U/D | D1 | 32 |
| DIO[11] | Digital input output 11 | | I/O | D | U/D | B2 | 38 |
| DIO[12] | Digital input output 12 | | I/O | D | U/D | A1 | 37 |
| DIO[13] | Digital input output / CM3-JTAG Test Reset | | I/O | D | U/D | A2 | 39 |
| DIO[14] | Digital input output / CM3-JTAG Test Data In | | I/O | D | U/D | A3 | 41 |
| DIO[15] | Digital input output / CM3-JTAG Test Data Out | | I/O | D | U/D | A4 | 40 |
| JTCK | CM3-JTAG Test Clock | | I/O | D | U | C1 | 33 |
| JTMS | CM3-JTAG Test Mode State | | I/O | D | U | B1 | 34 |

*VSS should be connected to VSSRF at the PCB level.

NOTE: It is recommended that the QFN package metal slug be left open/floating for optimal Rx sensitivity performance

Legend:

Type: A = analog; D = digital; I = input; O = output; P = power

Pull: U = pull up; D = pull down

Pull up: selectable between 10 k Ω and 250 k Ω

Pull down: 250 k Ω

All digital pads have a Schmitt trigger input.

All DIO pads have a programmable I²C low pass filter.

RSL10

架构概览

RSL10芯片架构如图4所示。

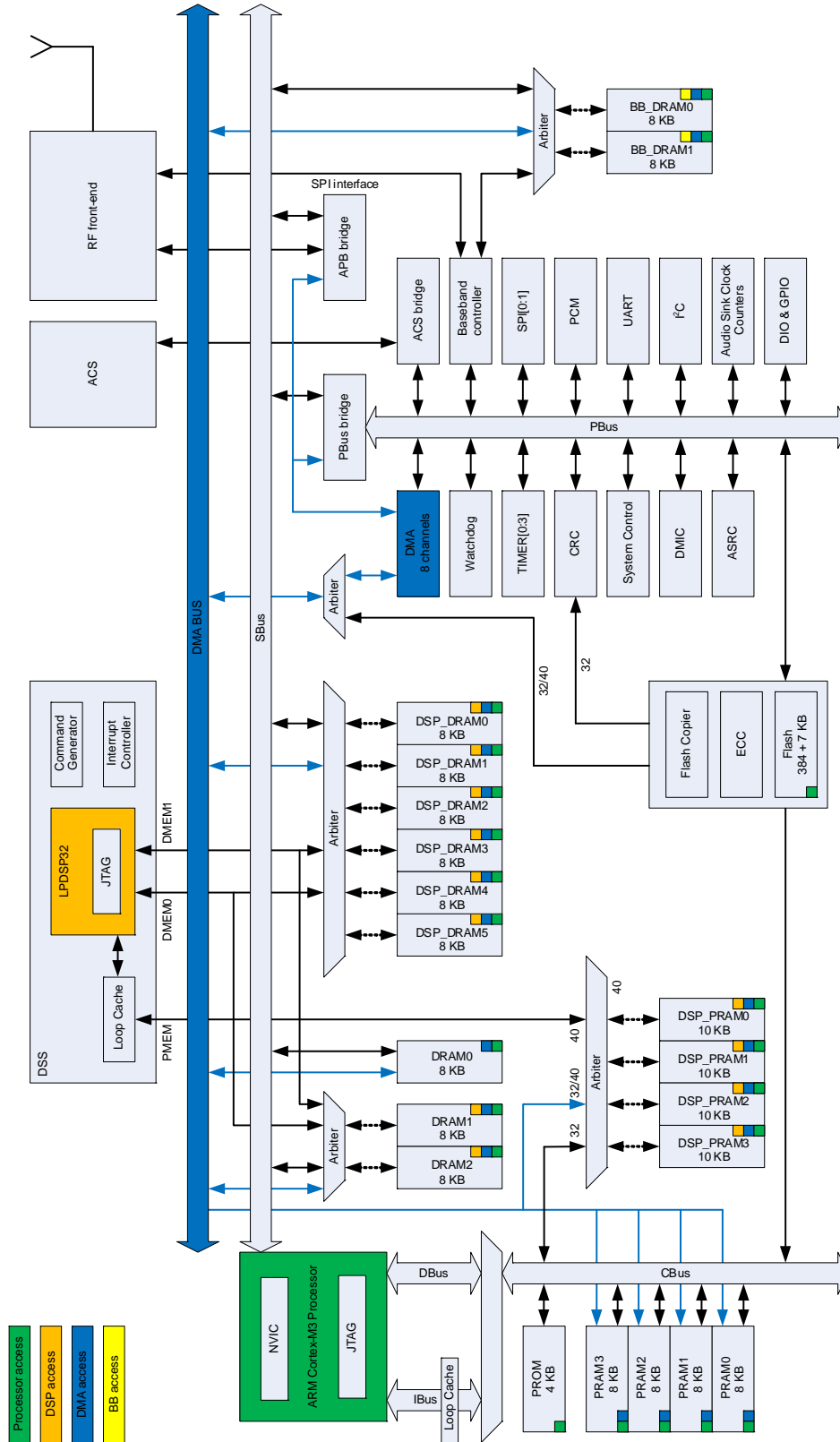


Figure 4. RSL10 Architecture

电源管理单元

电池电压低于可靠运行所需的指定最低电压时，RSL10电源管理单元可防止系统欠压。其作用原理如下：

1. 监控电源，并在需要时，安全地关闭系统。
2. 在插入或移除电池时，防止可能对RSL10造成的损坏。
3. 在低功耗情况下，允许在较宽的温度和电压范围内运行。

在电池电压高于1.4 V时，RSL10允许使用DC-DC转换器，以获得更高的效率，或者在VBAT低于1.4 V时，使用内部LDO。DC-DC转换器或LDO调节器输出用于对RSL10的其他电压调节器模块供电。这些模块包括：

- 对数字核心(VDDC)供电的可编程电压调节器
- 对存储器(VDDM)供电的可编程电压调节器
- 对模拟模块和闪存(VDDA)供电的电荷泵
- 对射频前端(VDDRF)供电的可编程电压调节器
- 对射频功率放大器(VDDPA)供电的可编程电压调节器：此调节器仅用于输出功率为+6 dBm的封装，或者我们想以+3 dBm的输出功率和低于1.4 V的电池电压输电的情况。如果RSL10不必在高功率下输电，可禁用VDDPA调节器，且应当仅使用VDDRF。

时钟和计时选项

RSL10的系统时钟(SYSCLK)有各种来源：

- 48 MHz晶体振荡器，用于正常工作模式
- 内部可微调的RC振荡器，提供3–12 MHz时钟，在系统启动时使用
- 实时时钟，用于待机模式，由以下来源产生：
 - ◆ 32 kHz RC振荡器
 - ◆ 32 kHz 晶体振荡器
 - ◆ DIO0至DIO3其中一个的外部输入
- JTAG时钟，用于调试模式，源于JTCK焊盘
- 外部时钟来源，源于EXTCLK焊盘

在不需要时，可禁用系统中产生的每一个时钟。此外，每一个时钟均有关联的可配置预分频器，可最大限度地降低时钟树上的功率损耗。

时钟检测单元可用于监控系统时钟和/或睡眠及待机模式下的RTC时钟。如果时钟频率低于特定阈值，RSL10 IC将复位。时钟检测器标称阈值为2 kHz。此模块及其触发的复位默认为启用，但都可禁用。

射频前端

RSL10 2.4 GHz射频前端对蓝牙低功耗技术标准和和其他标准、专有或定制协议实现了物理层。适用于可在全球部署的2.4 GHz ISM波段(2.4000至2.4835 GHz)并支持：

- 蓝牙5认证，提供LE 2M PHY支持
- 安森美半导体的定制协议和其他定制协议

RSL10射频前端包括了必要的硬件，以支持下列协议：

- IEEE 802.15.4标准，用作许多标准和专有协议的物理层，包括ZigBee和Thread
- 专有协议或专有音频协议。

2.4 GHz射频前端基于低中频架构，并包含以下构建基块：

- 高性能单端射频端口
- 带50 Ω射频输入的芯片上匹配网络
- 高增益、低功率LNA (低噪声放大器)和混合器
- 输出功率为+3 dBm的PA (功率放大器)，用于蓝牙和802.15.4 OQPSK应用，功率最高可达+6 dBm，且使用专用PA电压
- ADC转换器
- RSSI (接收信号强度指示)，具有60 dB的标称值范围，步长为2.4 dB (不考虑AGC)
- 完全集成超低功率频率合成，具有快速的稳定时间，直接的数字传输调制(脉冲波形可编程)
- 48 MHz XTAL参考(可精调)
- 完全集成的FSK调制解调器，具有可编程脉冲波形、数据速率和调制指数
- 数字基带(DBB)具备多种链路层功能，包括自动数据包处理报头和同步、CRC以及单独的Rx和Tx 128字节FIFO
- 串行和并行数字接口

2.4 GHz射频前端包含具有以下功能的完整收发器：

- IEEE 802.15.4芯片编码和解码
- 曼彻斯特编码
- 数据白化

2.4 GHz射频前端包含高度灵活的数字基带(调制、可配制性和可编程性方面)，以便支持蓝牙低功耗技术、802.15.4 OQPSK和DSSS，以及专有协议。支持从62.5 kbps至2 Mbps的可编程数据速率以及具有可编程脉冲波形和调制指数的FSK。

2.4 GHz射频前端还具有IEEE 802.15.4芯片编码和解码、曼彻斯特编码和数据白化功能。数据包处理包括：

- 自动插入报头和同步文字
- 自动数据包长度处理程序
- 基本地址检查
- 使用可编程CRC多项式，自动进行CRC计算和验证
- 多帧支持
- 2x 128字节FIFO

基带控制器和软件栈

RSL10的蓝牙基带控制器连接至射频前端。该控制器将配置RSL10的物理层，以用作蓝牙低功耗技术设备。它为用于射频测试的直接测试模式(DTM)层提供了接口和支持，并从蓝牙栈实现了部分链路层以及其他控制器层级的元件。该控制器专用于低级别逐位运算和数据包处理。

RSL10为蓝牙5认证产品，提供LE 2 Mbps支持和蓝牙低功耗技术早期版本的所有可选功能。

RSL10设备还支持用于以下功能的定制软件栈：

- 支持低延迟音频串流的定制音频协议
- 支持通过远程加密狗进行低功耗音频串流的定制音频协议

此外，还支持蓝牙和定制协议共存。例如，通过远程加密狗串流音频时，可能还会使用电话来控制使用标准蓝牙低功耗技术协议的音频设备。

软件栈，包括配置文件和应用程序，用于处理协议功能，将在ARM Cortex-M3处理器上执行。蓝牙IP在硬件中分开实现，如图5所示。

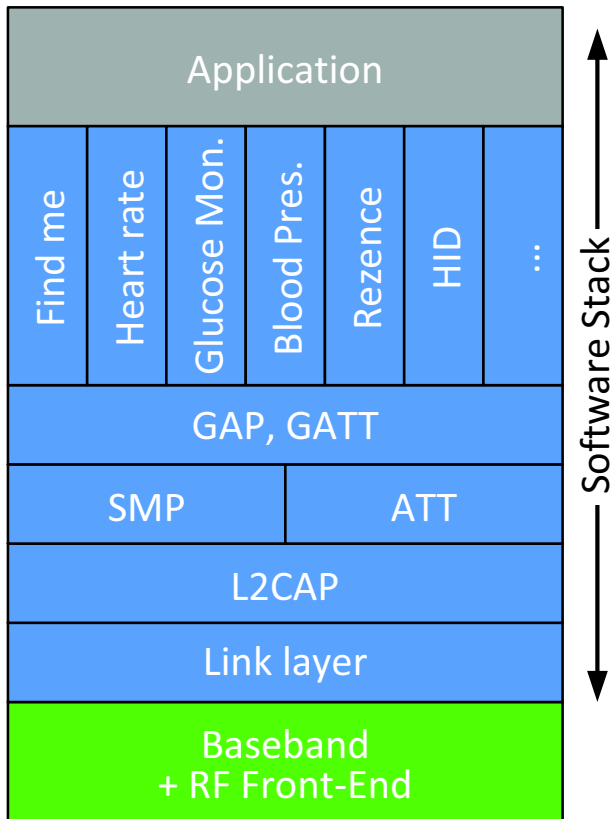


Figure 5. Bluetooth Protocol Implementation

以下是RSL10支持的蓝牙低功耗配置文件示例。更多信息以及所提供的配置文件完整列表，请下载RSL10开发工具套件。

- 找到我
- 接近

- 健康体温计
- 心率
- 时间
- 血压
- 血糖监测
- HID over GATT (HOG)
- 提醒通知
- 电话提醒状态
- 跑步速度
- 骑行速度
- 骑行功率
- 定位与导航
- Rezence (AirFuel™ Alliance定义的定制协议，支持无线电池充电)

ARM Cortex-M3处理器子系统

ARM Cortex-M3处理器子系统包含ARM Cortex-M3处理器，这是RSL10芯片的主处理器。此外，还包含蓝牙基带控制器，以及所有接口和其他周边设备。

ARM Cortex-M3处理器

ARM Cortex-M3处理器搭载先进的32位核心，以及嵌入式乘法器和ALU，用于处理典型的控制功能。软件开发可用C语言进行。

它的特点是具有低门数、低中断延迟，以及低成本调试功能。主要用于需要低功耗、快速中断响应的深层嵌入式应用。此处理器采用了ARM架构v7-M。对于电源管理，可在固件控制中将处理器设置为待机模式，在此模式下，处理器时钟将被禁用。但嵌套中断向量控制(NVIC)会继续运行，以在中断时启用现有待机模式。

LPDSP32

LPDSP32是由安森美半导体开发的32位DSP，可用C语言编程。LPDSP32是一款高效的双Harvard DSP，支持单(32位)和双精度(64位)算法。

LPDSP32的双MAC单元一加载存储架构经过专门优化，可支持音频处理工作。这种先进架构还提供了：

- 两个72位ALU，能够执行单双精度算法和逻辑运行
- 两个32位整数/分数乘法器
- 四个64位累加器，具有8位溢出(扩展位)

LPDSP32通常支持部署音频设备通信用例所需的音频编解码器。这包括(但不限于)支持以下各项的编解码器：

- 16 kHz采样率，产生7 kHz带宽信号(例如SBC、G.722或mSBC编解码器)
- 24 kHz采样率，产生11 kHz带宽信号(例如采用OPUS标准的G.722、CELT编解码器)

与ARM Cortex-M3处理器的通信通过中断和共享存储器完成。软件开发使用C语言进行，可根据Synopsys的要求提供开发工具。

接口

RSL10包含：

- 两个独立的SPI接口，可在主模式和从模式中配置。
- 一个完全可配置的PCM接口
- 一个标准的通用I²C接口
- 一个标准的通用UART接口
- 两个PWM (脉冲宽度调制)驱动器，可在指定频率下产生单点输出信号
- 一个双通道数字麦克风(DMIC)输入
- 一个输出驱动器，用于直接连接高阻抗扬声器。
- 一个用于ARM Cortex-M3处理器的 SWJ-DP 接口
- 一个用于LPDSP32的JTAG接口

RSL10还有16个DIO焊盘(数字输入/输出)，均可指定给上述任何接口，或用作通用DIO。

外设

RSL10包含：

- 四个通用计时器
- 一个DMA (直接存储器访问)控制器，用于在周边设备和存储器间传送数据，不会对核心产生任何干扰
- 一个闪存拷贝器，用于初始化SRAM存储器，并且可与CRC模块一起用于验证闪存内容
- 一个模拟到数字转换器(ADC)，通过ARM Cortex-M3处理器访问。ADC可读取4个外部值(DIO[0]-DIO[3])、AOUT、VDDC、VBAT/2和ADC补偿值。

- 两个标准的循环冗余码(CRC)模块，用于确保用户应用程序代码和数据的完整性
- 一个异步采样率转换器(ASRC)模块和音频信宿时钟模块，用于提供一种在无线电链路和主机设备之间同步音频采样率的方式。
- 一个看门狗计时器，用于检测RSL10故障并进行恢复。
- 四个32位自主活动计数器。这些计数器可帮助分析系统运行时间，以及应用中使用了多少ARM Cortex-M3处理器、LPDSP32和闪存。这些信息对于评估和优化应用功耗十分有用。
- 一个IP保护系统，用于确保闪存内容无法被第三方复制。可用于在RSL10启动后，防止从外部访问RSL10的任何核心或存储器。
- 用于各处理器的程序存储器循环缓存，可降低RSL10功耗。通过缓冲在这些循环中读取的程序文字，可减少闪存和RAM存储器的访问次数。

RSL10存储器结构

表9列出了RSL10所连接的存储器结构，以及各存储器结构的大小和宽度。

Table 9. RSL10 MEMORY STRUCTURES

| Memory type | Data Width | Memory Size | Accessed by |
|----------------------|------------|----------------------|--|
| Program memory (ROM) | 32 | 4 kB | ARM Cortex-M3 processor |
| Program memory (RAM) | 32 | 4 instances of 8 kB | ARM Cortex-M3 processor |
| Program memory (RAM) | 40 | 4 instances of 10 kB | LPDSP32 / ARM Cortex-M3 processor |
| Data memory (RAM) | 32 | 1 instances of 8 kB | ARM Cortex-M3 processor |
| Data memory (RAM) | 32 | 2 instances of 8 kB | ARM Cortex-M3 processor / LPDSP32 |
| Data memory (RAM) | 32 | 6 instances of 8 kB | LPDSP32 / ARM Cortex-M3 processor |
| Data memory (RAM) | 32 | 2 instances of 8 kB | Baseband / ARM Cortex-M3 processor |
| Flash | 32 | 384 kB | ARM Cortex-M3 processor / Flash copier |

芯片标识

使用系统标识来识别不同的系统组件。对于RSL10芯片，密钥标识符元素和值如下所示：

- 芯片系列：0x09
- 芯片版本：0x01
- 芯片修订版本：0x01

静电放电(ESD)敏感器件

警告：ESD敏感器件。高能量静电放电可能对器件造成永久性损坏。建议在处理、封装和测试时采用适当的ESD预防措施，避免性能下降或功能丧失。

开发工具

提供一整套完善的工具，帮助软件开发人员完成从初始概念和技术评估到原型设计和产品发布的整个过程。

公司或产品咨询

关于安森美半导体产品或服务的更多信息，请访问我们的网站www.onsemi.cn。

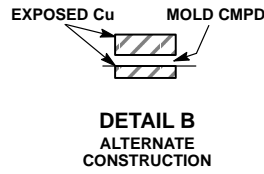
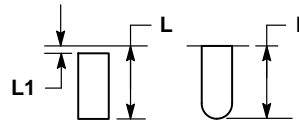
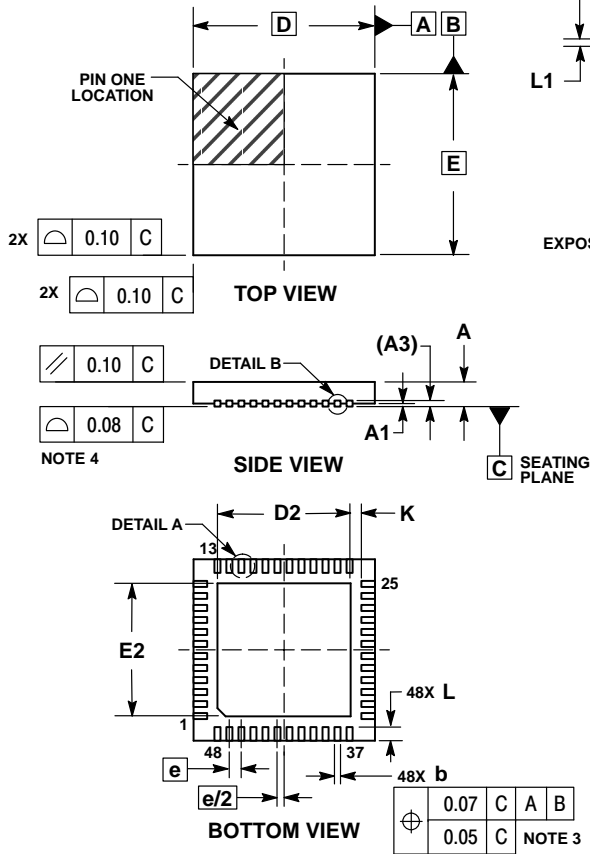
技术联系人信息

dsp.support@onsemi.com

RSL10

PACKAGE DIMENSIONS

QFN48 6x6, 0.4P
CASE 485BA
ISSUE A

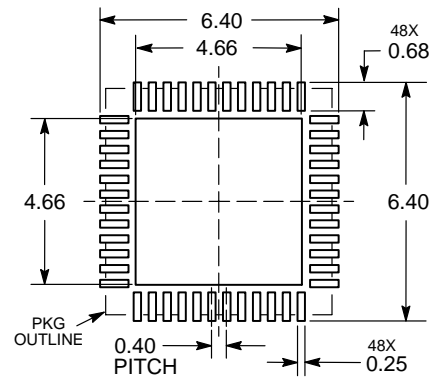


NOTES:

1. DIMENSIONING AND TOLERANCING PER ASME Y14.5M, 1994.
2. CONTROLLING DIMENSIONS: MILLIMETERS.
3. DIMENSION b APPLIES TO PLATED TERMINAL AND IS MEASURED BETWEEN 0.15 AND 0.30mm FROM TERMINAL TIP
4. COPLANARITY APPLIES TO THE EXPOSED PAD AS WELL AS THE TERMINALS.

| MILLIMETERS | | |
|-------------|----------|------|
| DIM | MIN | MAX |
| A | 0.80 | 1.00 |
| A1 | 0.00 | 0.05 |
| A3 | 0.20 REF | |
| b | 0.15 | 0.25 |
| D | 6.00 BSC | |
| D2 | 4.40 | 4.60 |
| E | 6.00 BSC | |
| E2 | 4.40 | 4.60 |
| e | 0.40 BSC | |
| K | 0.20 MIN | |
| L | 0.30 | 0.50 |
| L1 | 0.00 | 0.15 |

SOLDERING FOOTPRINT*



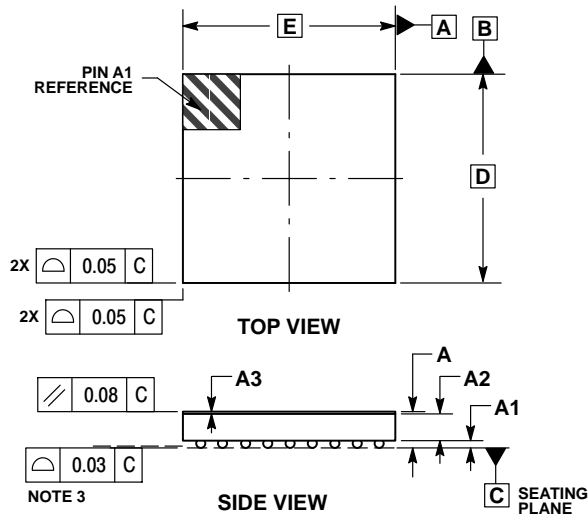
DIMENSIONS: MILLIMETERS

*For additional information on our Pb-Free strategy and soldering details, please download the ON Semiconductor Soldering and Mounting Techniques Reference Manual, SOLDERRM/D.

RSL10

PACKAGE DIMENSIONS

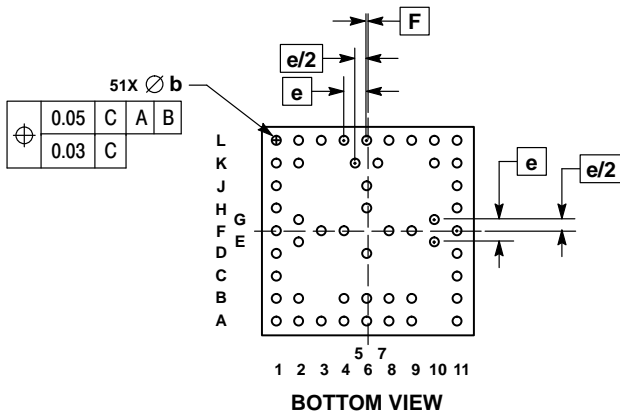
WLCSP51, 2.364x2.325
CASE 567MT
ISSUE A



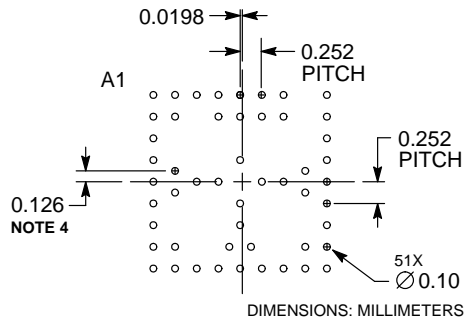
NOTES:

1. DIMENSIONING AND TOLERANCING PER ASME Y14.5M, 1994.
2. CONTROLLING DIMENSION: MILLIMETERS.
3. COPLANARITY APPLIES TO SPHERICAL CROWNS OF SOLDER BALLS.
4. PACKAGE CENTER AND FOOTPRINT CENTER ARE NOT COINCIDENT. REFER TO DIMENSION F FOR OFFSETS.

| DIM | MILLIMETERS | | |
|-----|-------------|-------|-------|
| | MIN | NOM | MAX |
| A | 0.319 | 0.350 | 0.381 |
| A1 | 0.060 | 0.075 | 0.090 |
| A2 | 0.237 | 0.250 | 0.263 |
| A3 | 0.022 | 0.025 | 0.028 |
| b | 0.09 | 0.10 | 0.12 |
| D | 2.325 BSC | | |
| E | 2.364 BSC | | |
| e | 0.252 BSC | | |
| F | 0.0198 BSC | | |




RECOMMENDED SOLDERING FOOTPRINT*



*For additional information on our Pb-Free strategy and soldering details, please download the ON Semiconductor Soldering and Mounting Techniques Reference Manual, SOLDERRM/D.

ON Semiconductor is licensed by the Philips Corporation to carry the I²C bus protocol.
 AirFuel is a trademark of Air Routing International Corporation.
 Bluetooth is a registered trademark of Bluetooth SIG.
 ARM and Cortex are registered trademarks of ARM Limited (or its subsidiaries).

ON Semiconductor and  are trademarks of Semiconductor Components Industries, LLC dba ON Semiconductor or its subsidiaries in the United States and/or other countries. ON Semiconductor owns the rights to a number of patents, trademarks, copyrights, trade secrets, and other intellectual property. A listing of ON Semiconductor's product/patent coverage may be accessed at www.onsemi.com/site/pdf/Patent-Marking.pdf. ON Semiconductor reserves the right to make changes without further notice to any products herein. ON Semiconductor makes no warranty, representation or guarantee regarding the suitability of its products for any particular purpose, nor does ON Semiconductor assume any liability arising out of the application or use of any product or circuit, and specifically disclaims any and all liability, including without limitation special, consequential or incidental damages. Buyer is responsible for its products and applications using ON Semiconductor products, including compliance with all laws, regulations and safety requirements or standards, regardless of any support or applications information provided by ON Semiconductor. "Typical" parameters which may be provided in ON Semiconductor data sheets and/or specifications can and do vary in different applications and actual performance may vary over time. All operating parameters, including "Typicals" must be validated for each customer application by customer's technical experts. ON Semiconductor does not convey any license under its patent rights nor the rights of others. ON Semiconductor products are not designed, intended, or authorized for use as a critical component in life support systems or any FDA Class 3 medical devices or medical devices with a same or similar classification in a foreign jurisdiction or any devices intended for implantation in the human body. Should Buyer purchase or use ON Semiconductor products for any such unintended or unauthorized application, Buyer shall indemnify and hold ON Semiconductor and its officers, employees, subsidiaries, affiliates, and distributors harmless against all claims, costs, damages, and expenses, and reasonable attorney fees arising out of, directly or indirectly, any claim of personal injury or death associated with such unintended or unauthorized use, even if such claim alleges that ON Semiconductor was negligent regarding the design or manufacture of the part. ON Semiconductor is an Equal Opportunity/Affirmative Action Employer. This literature is subject to all applicable copyright laws and is not for resale in any manner.

(參考譯文)

ON Semiconductor和ON是Semiconductor Components Industries, LLC (安森美半导体)或其子公司在美国和/或其他国家/地区的商标。安森美半导体拥有多项专利、商标、版权、商业秘密和其他知识产权。如需了解安森美半导体的产品/专利信息, 请访问www.onsemi.com/site/pdf/Patent-Marking.pdf。安森美半导体有权对本文中所述任何产品做出变更, 恕不另行通知。安森美半导体不对产品的任何特定用途适用性做出任何保证、陈述或担保, 也不承担因应用或使用任何产品或电路而产生的任何责任, 并且不对任何形式的损害承担任何责任, 包括但不限于特殊损害、间接损害或附带损害。买家应对其使用了安森美半导体产品的应用和产品负责, 包括遵守所有法律、法规和安全要求或标准, 无论安森美半导体提供何种支持或应用信息。安森美半导体数据表和/或规格中提供的“典型”参数在不同的应用中可能而且会发生变化, 实际性能也可能随时间推移而变化。所有工作参数(包括“典型值”)必须由客户的技术专家针对客户的特定应用进行验证。安森美半导体不转让任何其专利许可, 也不转让任何其他权利。安森美半导体产品并非设计、预期或授权使用作生命保障系统中的关键组件, 或任何FDA 3类医疗器械或在国外管辖区具有相同或类似分类的医疗器械, 或任何植入人体的器械。若买家购买安森美半导体产品或其用于任何此类非预期或未授权应用, 买家应使安森美半导体及其高级职员、员工、子公司、关联公司和经销商免于承担所有索赔、费用、损害赔偿和费用, 以及直接或间接产生的合理律师费用、与此类非预期或未授权使用相关的任何人身伤害或死亡索赔, 即使此类索赔声称安森美半导体在该部件的设计或制造中存在过失。安森美半导体以雇主身份参加了“平等机会/平权行动计划”。本文档受所有适用版权法约束, 不得以任何方式转售。

PUBLICATION ORDERING INFORMATION

LITERATURE FULFILLMENT:

Literature Distribution Center for ON Semiconductor
 19521 E. 32nd Pkwy, Aurora, Colorado 80011 USA
Phone: 303-675-2175 or 800-344-3860 Toll Free USA/Canada
Fax: 303-675-2176 or 800-344-3867 Toll Free USA/Canada
Email: orderlit@onsemi.com

N. American Technical Support: 800-282-9855 Toll Free
 USA/Canada
Europe, Middle East and Africa Technical Support:
 Phone: 421 33 790 2910
Japan Customer Focus Center
 Phone: 81-3-5817-1050

ON Semiconductor Website: www.onsemi.com

Order Literature: <http://www.onsemi.com/orderlit>

For additional information, please contact your local Sales Representative