

ACPL-0873T Triple-channel Digital Filter for Sigma-Delta Modulator

Features

- Automotive AEC Q-100 Grade 1
- Wide operating temperature -40°C to +125°C
- Power supply 3V to 5.5V
- 3 Programmable individual Sinc filters
- Fast fault detection, programmable over-current threshold
- SPI interface

Applications

- Digital Filter for Isolated Sigma-Delta Modulator
- Phase and Rail Current Sensing in Electric Motor Drive
- Inverter/Converter Current Sensing
- Battery Pack Current Monitoring

Benefit

- 3-ch in Standard SMT package, saving space
- Dedicated Sinc filter for Sigma-Delta Modulator, saving design time

Status Update

Preliminary Datasheet

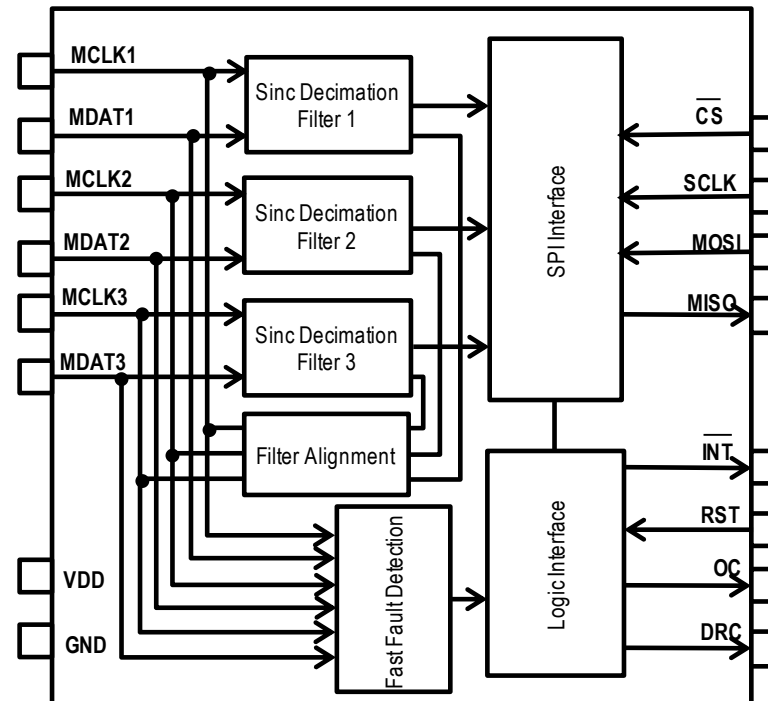
Available

Engineering Samples

Available

Product Release

Sept'17



Broadcom Current Sensing Block Diagram

